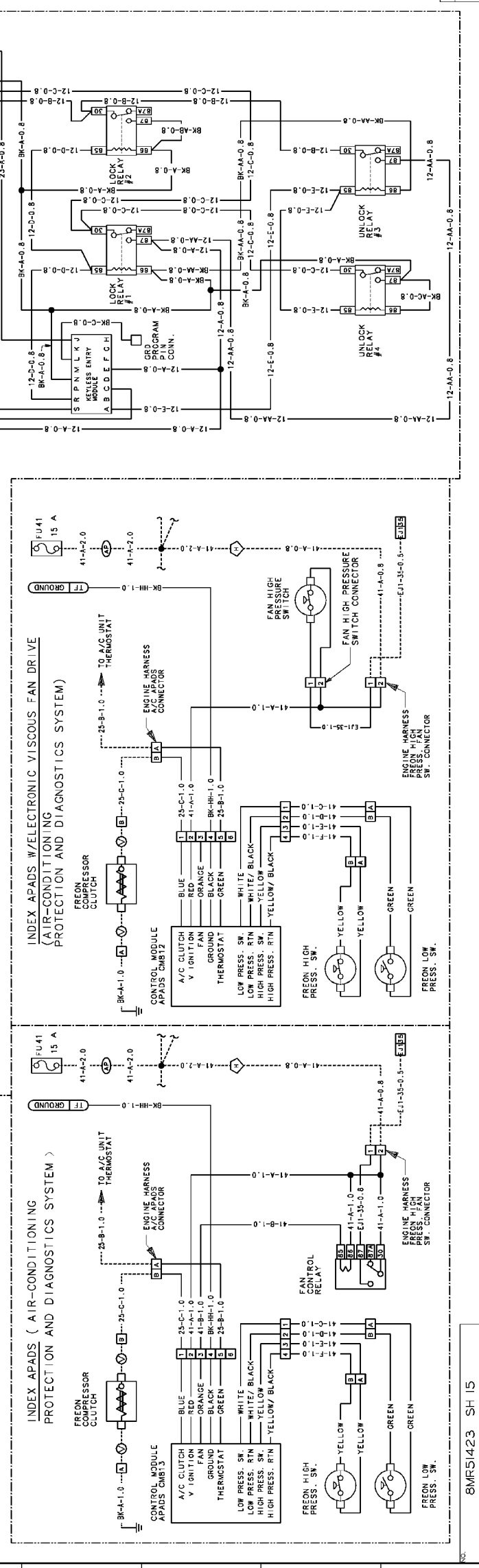
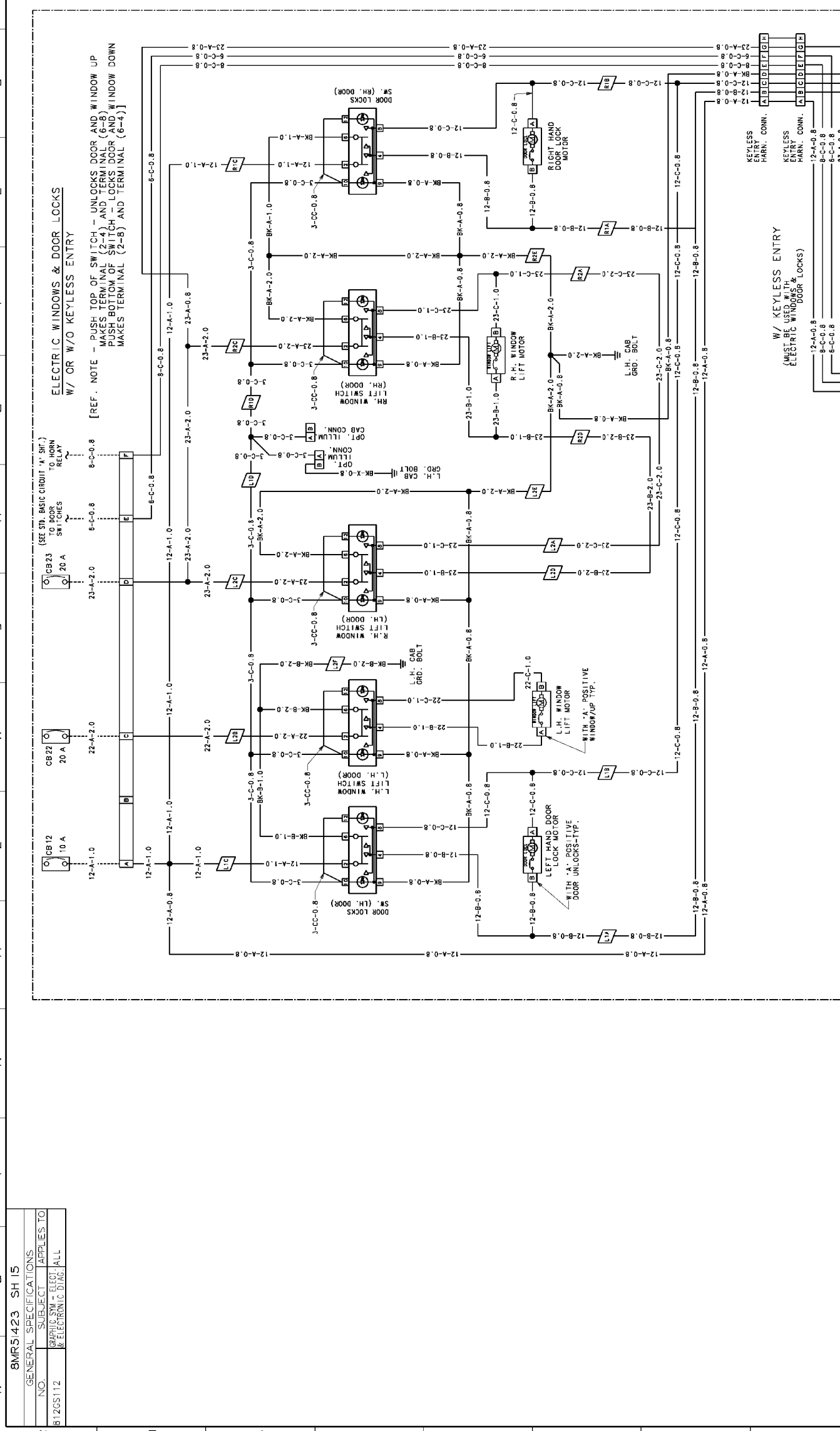


8MR51423 SH 15	
NO.	SUBJECT
8120S112	GRAPHIC SW - ELECT & ELECTRONIC DIAG - ALL

8MR51423 SH 15	
NO.	DATE BY
ISSUED	PCN00143 02/07/03/10/12/14/15/16/17/18/19/20
REVISED SHEET	PCN0006250
LEGENDS	CP004253



**REFERENCE SYMBOL LEGEND**

- Ⓢ = ENGINE POWER DISTRIBUTION MODULE CONNECTOR 'A'
- Ⓣ = 16 PIN ENGINE TO VEHICLE INTERFACE CONNECTOR
- Ⓤ = 4 PIN LEFT HAND DOOR CONN.
- Ⓥ = 4 PIN RIGHT HAND DOOR CONN.
- Ⓦ = 6 PIN LEFT HAND DOOR CONN.
- Ⓧ = 6 PIN RIGHT HAND DOOR CONN.
- Ⓨ = Y-MAC ENGINE CONTROL UNIT CONNECTORS
- Ⓩ = TRAILER 10 POLE JUNCTION BLOCK
- Ⓩ (with HTR) = INDICATES EXISTING WIRES
- Ⓩ (with dashed line) = INDICATES CHOICE OF OPTIONS

**WIRING DIAGRAM SHEET LEGEND**

- SH 1 - POWER DISTRIBUTION
- SH 2 - LIGHTING CIRCUITS
- SH 3 - STD. BASIC CIRCUIT 'A'
- SH 4 - STD. BASIC CIRCUIT 'B'
- SH 5 - STD. BASIC CIRCUIT 'C'
- SH 6 - FAN MOTOR CIRCUITS
- SH 7 - ABS BATTERY ARS 8
- SH 8 - ABS WIRING E-VERSION
- SH 9 - GROUND CIRCUITS
- SH 11 - AUTO/ULTRA SHIFT BENZ
- SH 12 - AUTO/ULTRA SHIFT BENZ
- SH 13 - AUTO/ULTRA SHIFT BENZ
- SH 14 - OPTIONAL CIRCUIT 'A'
- SH 15 - OPTIONAL CIRCUIT 'B'
- SH 16 - OPTIONAL CIRCUIT 'C'
- SH 17 - OPTIONAL CIRCUIT 'D'
- SH 18 - 48" & 56" SLEEPER BOX
- SH 19 - MULTIVISION SLEEPER

**OPTIONAL CIRCUITS 'B'**

INDICATES KEY CONTROL CHARACTERISTICS. IDENTIFY THESE ITEMS ON WIRING DIAGRAMS. STATISTICAL APPLICATION ARE MANDATORY. APPLIED TO THIS INC. [ ] YES [X] NO

**INCHES TO METRIC**

1/8"	3.18
1/4"	6.35
3/8"	9.53
1/2"	12.70
5/8"	15.88
3/4"	19.05
7/8"	22.23
1"	25.40

**DATE** 11/19/02 **BY** JTS **REVISED** 11/19/02

**ENGINEER** W. R. HENDERSON **DESIGNER** J. S. HENDERSON **DRAWN** J. S. HENDERSON **CHECKED** J. S. HENDERSON

**PROPERTY OF MACK TRUCKS, INC. ALL RIGHTS RESERVED. NO PARTS TO BE REPRODUCED OR TRANSMITTED IN ANY FORM OR BY ANY MEANS, ELECTRONIC OR MECHANICAL, INCLUDING PHOTOCOPYING, RECORDING, OR BY ANY INFORMATION STORAGE AND RETRIEVAL SYSTEM.**

**MACK TRUCKS, INC.**

**WIRING DIAGRAM**

**NO.** 8MR51423 **SH 15**