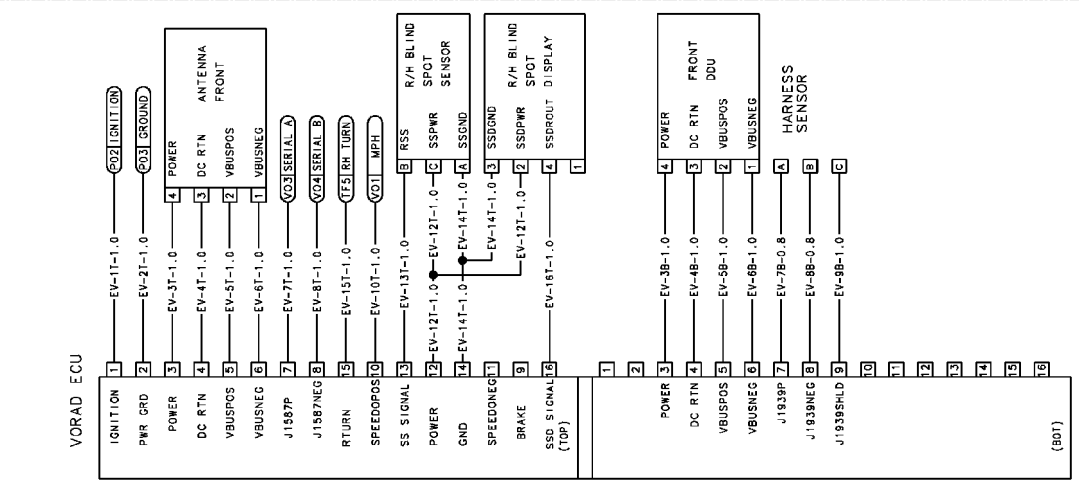
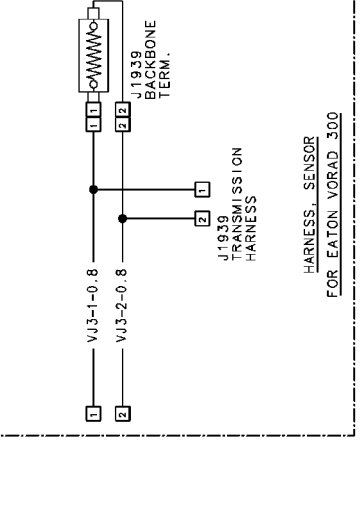
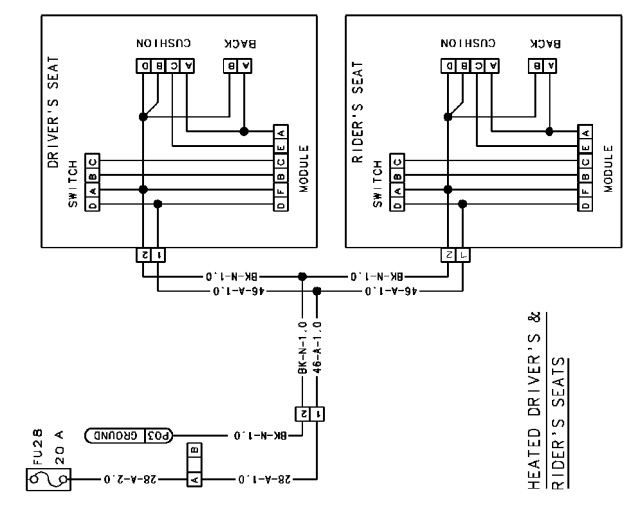
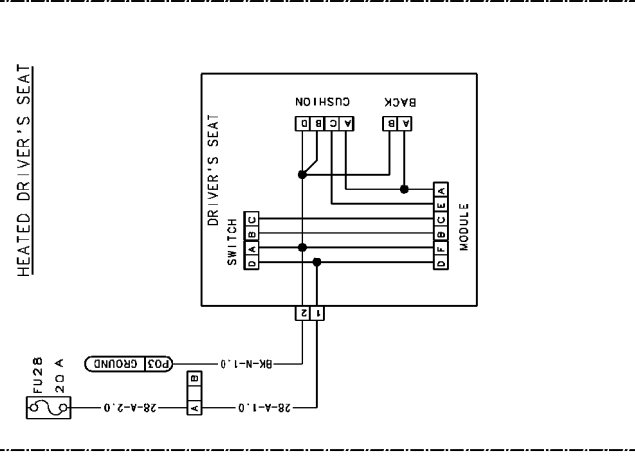
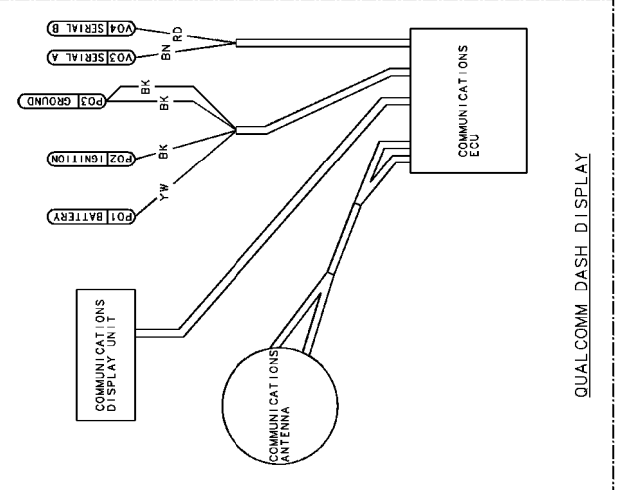


8MRS1423 SH 17	
GENERAL SPECIFICATIONS	APPLIES TO
NO. SUBJECT	ALL
8120S112	GRAPHIC SW - FLEET & ELECTRONIC DIAG. ALL

8MRS1423 SH 17	
ISSUED	DATE BY
SH 17 WAS SHIT 16; PCN0006250	12
H B4 REVISED SHEET	11
LEGENDS 12-20	10
CP004253	9
	8
	7
	6
	5
	4
	3
	2
	1



EATON VORAD 300
(COLLISION WARNING SYS.)



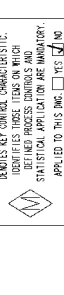
REFERENCE SYMBOL LEGEND

- (V) SERIAL B = V-MAC OPTION 4 POLE JUNCTION BLOCK
- (G) GROUND = POWER OPTION 3 POLE JUNCTION BLOCK
- (T) FIELD HIB = TRAILER 10 POLE JUNCTION BLOCK

WIRING DIAGRAM SHEET LEGEND

- SH 11 - POWER DISTRIBUTION
- SH 12 - LIGHTING CIRCUITS
- SH 13 - STD. BASIC CIRCUIT - A
- SH 14 - STD. BASIC CIRCUIT - B
- SH 15 - V-MAC CIRCUITS
- SH 16 - EPA 02 ECU CIRCUITS
- SH 17 - ABS BRDLY ABS S
- SH 18 - ABS WAGCO E-VERSION
- SH 19 - GROUND CIRCUITS
- SH 20 - ENGINE POWER DISR.
- SH 21 - AUTO/INTRA SHEET GEN
- SH 22 - AUTO/INTRA SHEET GEN
- SH 23 - AUTO TRANS CIRCUIT 'A'
- SH 24 - AUTO TRANS CIRCUIT 'B'
- SH 25 - OPTIONAL CIRCUIT 'A'
- SH 26 - OPTIONAL CIRCUIT 'B'
- SH 27 - OPTIONAL CIRCUIT 'C'
- SH 28 - OPTIONAL CIRCUIT 'D'
- SH 29 - SLEEPER BOX
- SH 30 - MULTIFUNCTION SELECT
- SH 31 - CONNECTION LEGENDS

OPTIONAL CIRCUITS 'D'



INDICATES KEY CONTROL CHARACTERISTICS. IDENTIFIES TUBES, TUBES OR WINDING. STATISTICAL APPLICATION ARE MANDATORY. APPLIED TO THIS IAC: YES NO

UNLESS OTHERWISE SPECIFIED, ALL DIMENSIONS ARE SHOWN IN INCHES TO NEAREST DECIMAL PLACE.

DATE: 11/10/00
DESIGNED BY: JTS
CHECKED BY: JTS
APPROVED BY: JTS

8MRS1423 SH 17
WIRING DIAGRAM

8MRS1423 SH 17